

ATELIER



No. 2008

COFFEE TABLE BRUNEL

Quirky shaped coffee table.

The solid metal base is hand-gilded in white or yellow gold leaf and then patinated.

Also available in different kinds of marble.

The top can also be made of wood, lined with parchment.

H 400 mm W 1900 mm D 1300 mm

H 15¾ inch W 74¾ inch D 51¼ inch

www.atelier-furniture.com

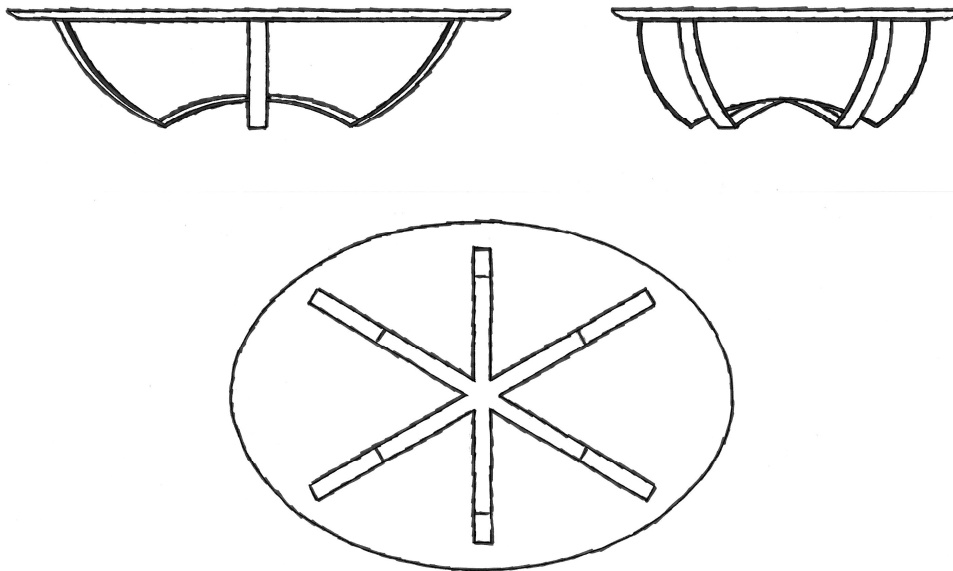
AGENT BENELUX: INTERFURN BV - NETHERLANDS

info@interfurn.nl - Telephone: 00 31 10 7171800

ATELIER

No. 2008

COFFEE TABLE BRUNEL



H 400 mm W 1900 mm D 1300 mm

H 15¾ inch W 74¾ inch D 51¼ inch

All dimensions are considered to be approximate. Images are provided for visual reference only and should not be used for color match.

www.atelier-furniture.com

AGENT BENELUX: INTERFURN BV - NETHERLANDS
info@interfurn.nl - Telephone: 00 31 10 7171800